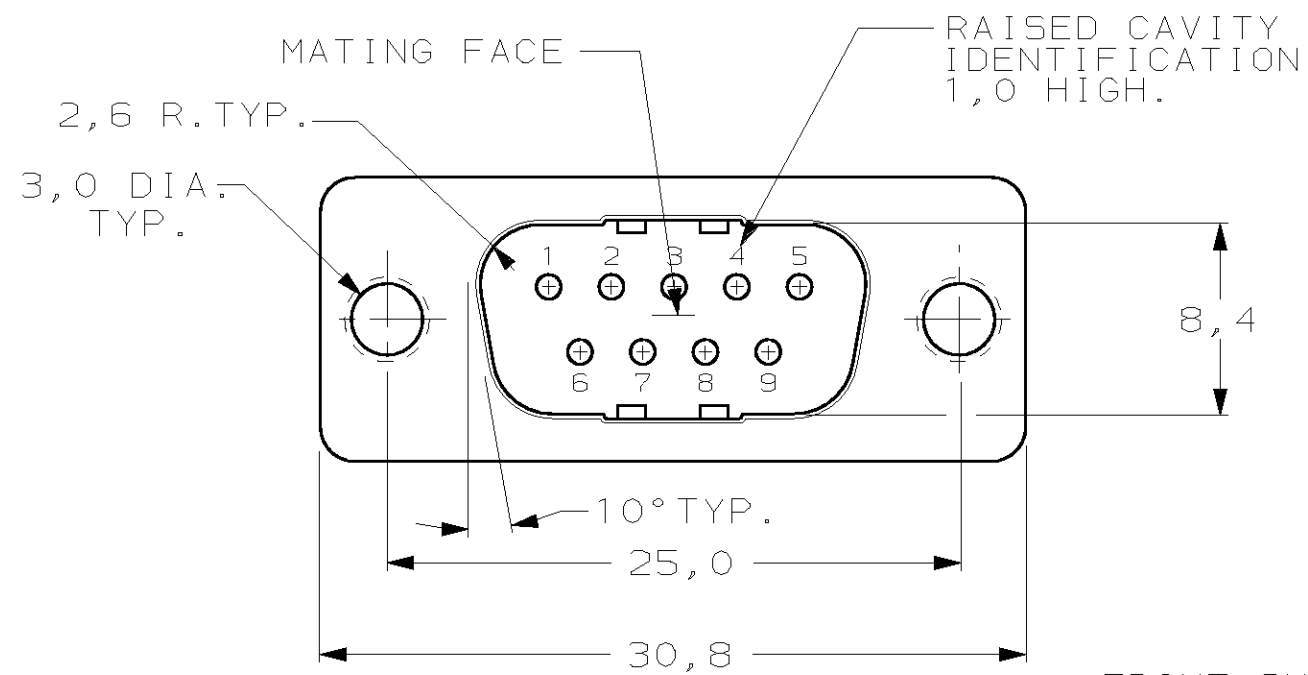
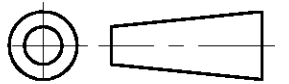


DO NOT SCALE

DIMENSIONS IN mm

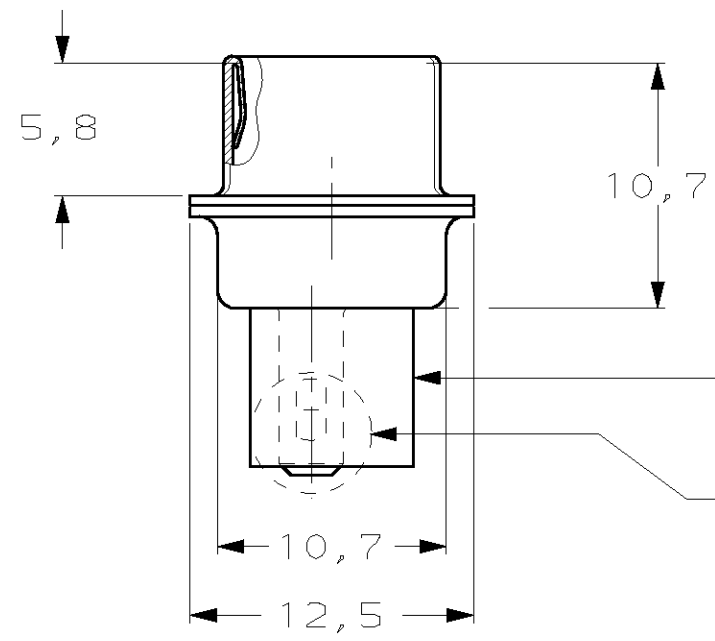
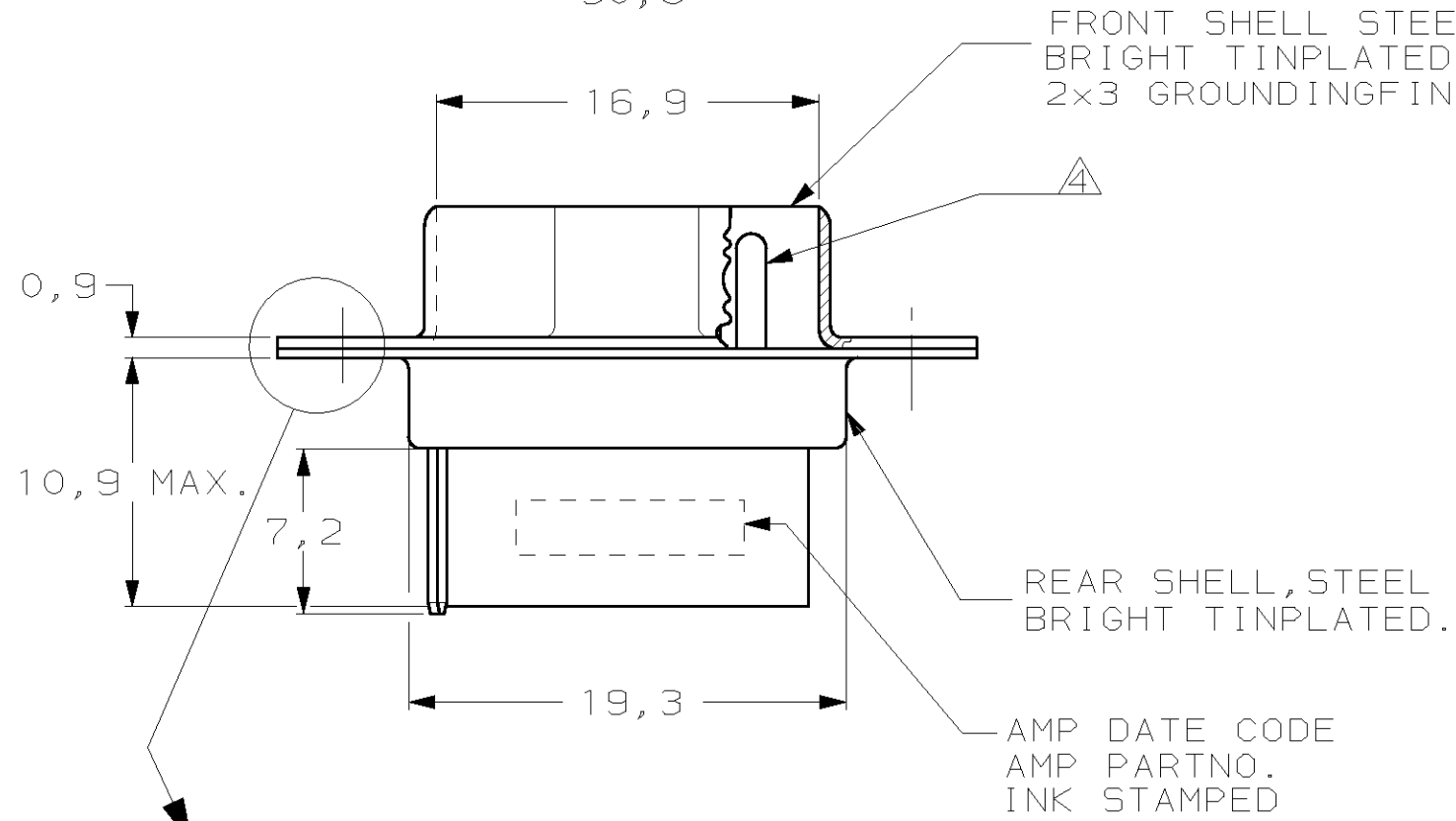
METRIC

THIRD ANGLE  
PROJECTION



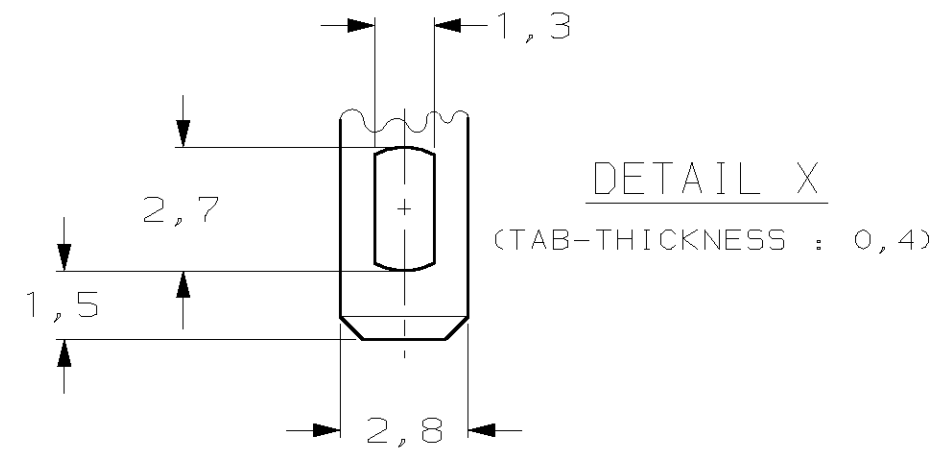
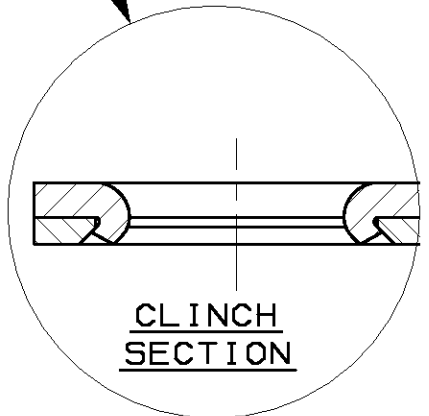
- NOTES: 1 THIS PLUG ACCEPTS SIZE 20 PIN CONTACTS
- 2 MAXIMUM WIRE INSULATION RECOMMENDED FOR USE WITH THIS PLUG IS 1,73 DIA. MAX..
- 3 RETENTION TINES ARE AN INTEGRAL PART OF INSERT.
- △ CONTACTS SHOWN FOR ILLUSTRATION ONLY, NO PART OF CONNECTOR PACKAGE, MUST BE ORDERED SEPARATELY.
- 5 FOLLOWING INSERTION/REMOVAL TOOLS ARE RECOMMENDED FOR USE WITH THESE CONNECTORS:
- |                           |                           |
|---------------------------|---------------------------|
| 32-28AWG/28-24AWG CONT'S  | 24-20AWG CONTACTS         |
| 91067-3 INSERTION/REMOVAL | 91067-2 INSERTION/REMOVAL |
| 726363-1 INSERTION ONLY   | 726363-1 INSERTION ONLY   |
|                           | 726364-1 REMOVAL ONLY     |

FRONT SHELL STEEL, BRIGHT TINPLATED WITH 2x3 GROUNDING FINGERS AT 3,8 PITCH.



INSERTS: NYLON  
GLASS-FILLED  
SELF-EXTINGUISHING  
COLOR: BLACK

SEE DETAIL X



SEE DRAWING		SEE DRAWING		215711-1	
FINISH		MATERIAL		PARTNUMBER	
-	-	-	-	CUSTOMER DRAWING FOR REFERENCE ONLY WILL NOT BE UPDATED	
-	-	-	-	© COPYRIGHT 19- BY AMP HOLLAND B.V. ALL INTERNATIONAL RIGHTS RESERVED. AMP PRODUCTS MAY BE COVERED BY U.S. AND FOREIGN AND/OR PATENTS PENDING.	
-	-	-	-	THIS DRAWING IS UNPUBLISHED RELEASED FOR PUBLICATION	
-	-	-	-	TYCO ELECTRONICS NEDERLAND B.V. 's-HERTOEGEBOSCH, THE NETHERLANDS.	
B	EH01-1520-03	JvdH	PDJ	22 DEC 03	HDP-20 PLUG CONNECTOR, SIZE 1, (9 POSITION) WITH SOLDER TAB.
LTR.	REVISION RECORD	DR.	CHK.	DATE	
DR. : L.V.D.HEIJDEN.	CHK. : C.V.TILBURG.	APP. : L.V.S0EST.	DWG.No.		REV.LTR.
DATE: 30-06-87	DATE: 07-07-87	DATE: 28-07-87	C-215711		B
					SHEET 1 OF 1
					A3

8 | 7 | 6 | 5 | 4 | 3 | 2 | 1